



UNDER CANOPY LIGHTING

INSTALLATION MANUAL

Table of Contents

02
Introduction

03
Equipments

04
Optional Equipments

05
General Guidelines

06
Daisy-Chaining

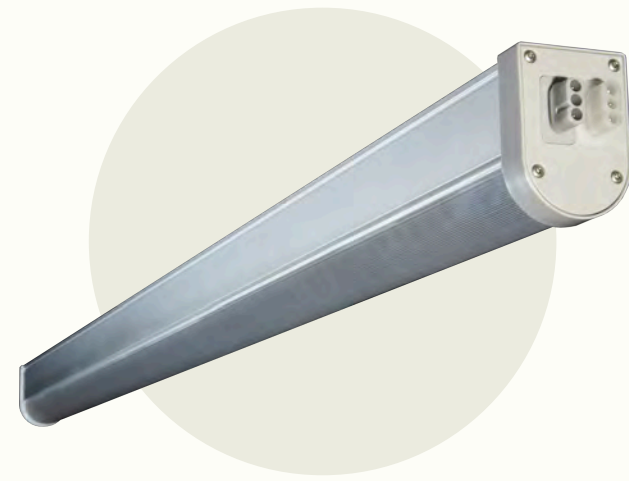
07
Installation

INTRODUCTION

This manual provides installation instructions for the **Boost XE** and **Infinity XE LED** light bars for under canopy lighting.

- + Please contact customer support with any questions not covered in this guide.
- + Visit Thrive Agritech's website to view an under canopy installation video.

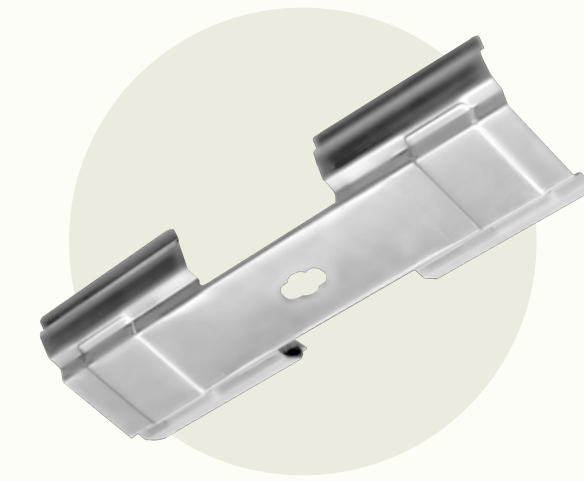
EQUIPMENTS



Boost XE or Infinity XE
TBAR-120W-FS2 OR TBAR-60W-FS2



Mounting Brackets
BDAFR8 OR BDAFR14



Interconnection Clips
INCLIP-BD



Power Cables
BDPCX-XX



End Caps
ENDCAP-BD

OPTIONAL EQUIPMENTS



**Dimming
Interconnection Cables**

DIMINCX-XX



**Dimming Adapter
Cable**

CNTRL-XE



**Quick Connect
Dimming Cable**

CNTRL-DM5



**Power Interconnection
Cables**

BDINCX-XX



Controller

CNTRL-V2

GENERAL GUIDELINES

01

Confirm the overall integrity of the light bar prior to installation.

02

Maintain at least 8 inches (0.2 meters) between the light fixture and any combustible materials.

03

Keep the light fixture away from sources of heat.

04

The LED light is an indoor fixture operated within an ambient temperature range of -20oC to +30oC.

05

Ensure power is off before installation. Installation must be carried out by qualified personnel.

06

To clean the light fixture, switch power off and use a dry cloth without corrosive cleaning agents.

DAISY-CHAINING

The maximum number of lights that can be daisy-chained together at various input voltages is shown in the tables. Also shown is the nominal current supplied to each fixture. 16^aWG wire is recommended.

Boost XE LED Light

Parameter	120 Volts	240 Volts	277 Volts
Nominal current / fixture	1.1A	0.50A	0.43A
Max # of fixtures linked together in a daisy-chain	7 fixtures	15 fixtures	17 fixtures

Infinity XE LED Light

Parameter	120 Volts	240 Volts	277 Volts
Nominal current / fixture	0.54A	0.25A	0.22A
Max # of fixtures linked together in a daisy-chain	14 fixtures	31 fixtures	35 fixtures

INSTALLATION

A view of a completed installation consisting of 2 lines of under canopy lights.



1. Position the Mounting Brackets on the bench to support installation of the first under canopy light



Fig 1. Placement of Mounting Brackets on the bench

2. Roll the under canopy light fixture onto the Mounting Bracket so that it snaps in place



Fig 2. Snap the light into the Mounting Brackets

3. Repeat Steps 1 & 2 for the next fixture in line with the first. Daisy chain the two under canopy lights together



Fig 3. Connect the first two lights together

4. Once the lights are connected, attach the interconnection clip (INCLIP-BD) as shown in Fig 4 to secure the lights mechanically and electrically



Fig 4. Secure the lights to together with the Interconnection Clip

5. Repeat steps 1-4 for all under canopy lights in the grow room. Note the maximum number of lights that can be connected (daisy-chained) in the tables (also shown on page 06 & in the under canopy light bar datasheets)

Boost XE LED Light

Parameter	120 Volts	240 Volts	277 Volts
Nominal current / fixture	1.1A	0.50A	0.43A
Max # of fixtures linked together in a daisy-chain	7 fixtures	15 fixtures	17 fixtures

Infinity XE LED Light

Parameter	120 Volts	240 Volts	277 Volts
Nominal current / fixture	0.54A	0.25A	0.22A
Max # of fixtures linked together in a daisy-chain	14 fixtures	31 fixtures	35 fixtures

6. Connect the white power cables to the lights (Fig 5), and the black dimming cables (Fig 6) if using dimming



Fig 5. Power connections



Fig 6. Dimming connections

7. If using dimming, connect the dimming adapter cable (p/n CNTRL-XE) on the last light in the daisy-chain (Fig 7). Connect the other end of the dimming adapter cable to dimming quick connect cable (p/n CNTRL-DM5) (Fig 8).

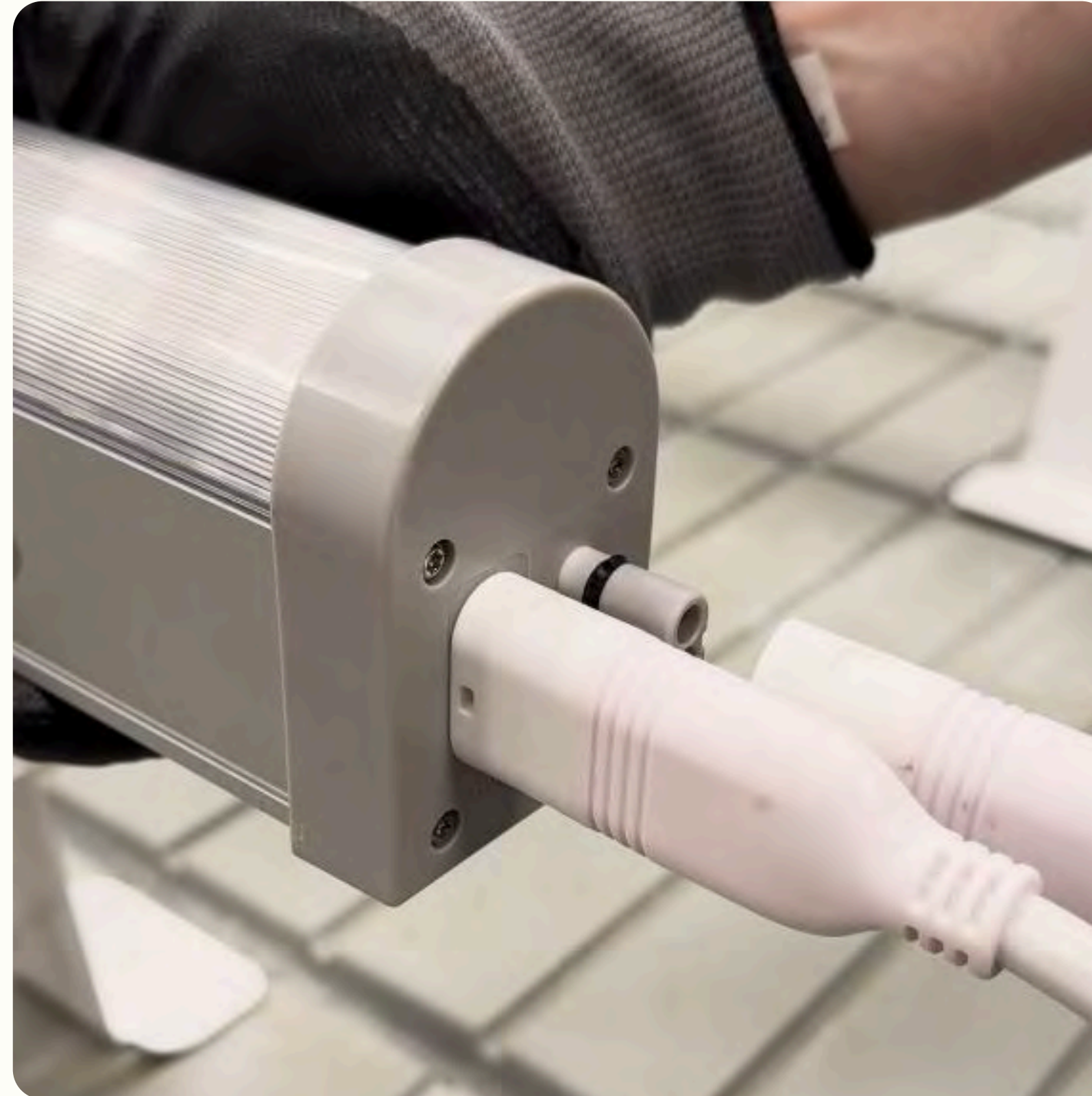


Fig 7. Dimming Adapter Cable connection



Fig 8. Dimming Quick Connect cable connection

8. Connect the Quick Connect dimming adapter cable to the dimming controller



Figure 9. Quick Connect Dimming Cable connection to Dimming Controller box

9. To remove the lights from the mounting brackets, use a flathead screwdriver to remove the Interconnection Clips and to dislodge the lights from the Mounting Brackets




Fig 10. Removal of Interconnection Clips



Fig 11. Disengage lights from Mounting Brackets

 <https://www.thriveagritech.com/>

 info@thriveagritech.com

 1 (800) 205-7216